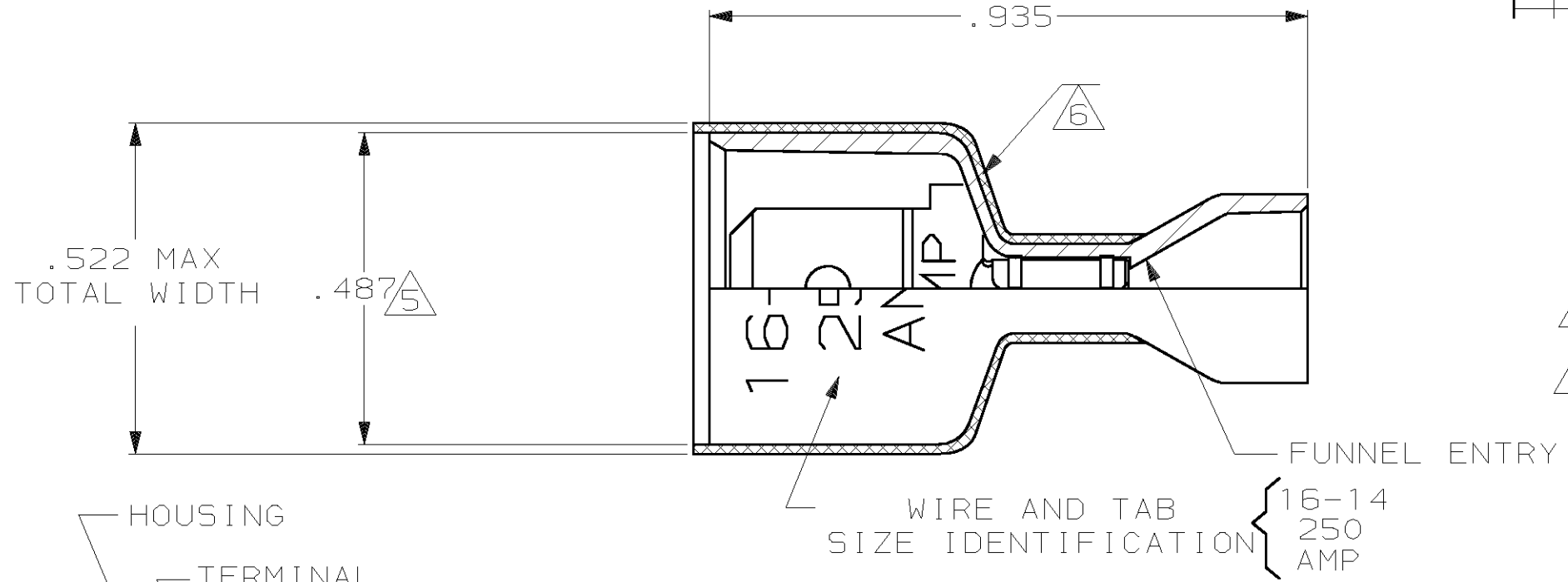
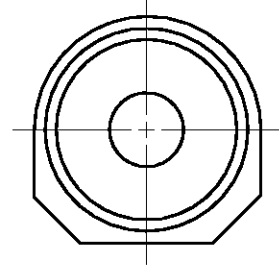
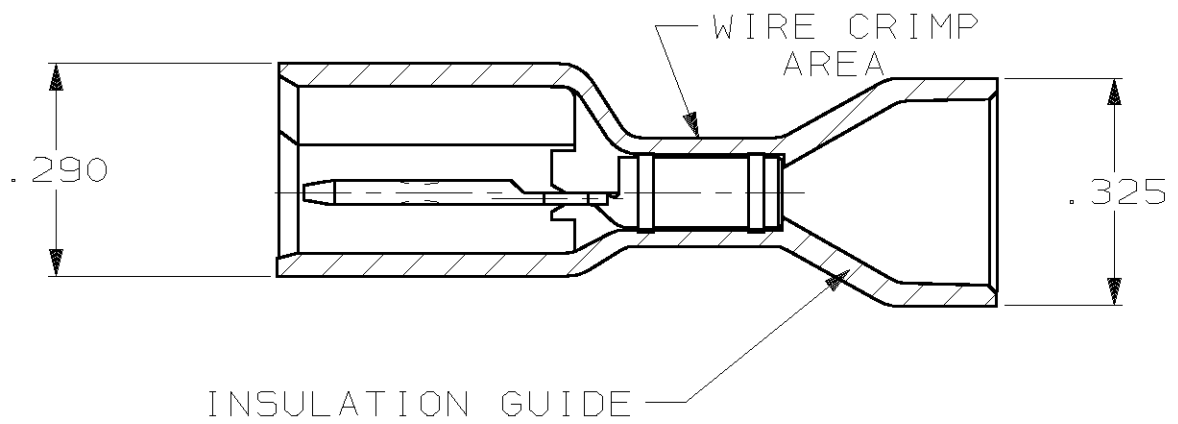
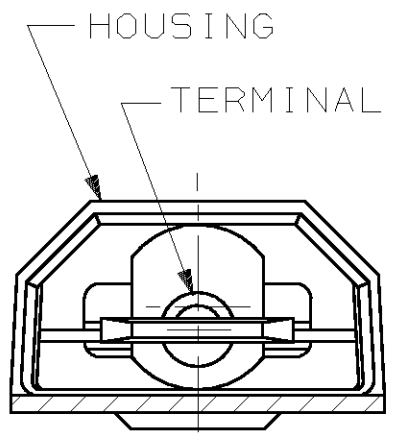



THIS DRAWING IS UNPUBLISHED. RELEASED FOR PUBLICATION, 19
 © COPYRIGHT 19 BY AMP INCORPORATED. ALL INTERNATIONAL RIGHTS RESERVED.

LOC	DIST	P	F	REVISIONS			DATE	APPD
AF	50			ZONE	LTR	DESCRIPTION		
					A	REL PER 061A-0078-99	25MAR99	JR/JH



- 1 TAB DIMENSIONS .032±.001×.250
- 2 WIRE STRIP LENGTH .281
- 3 INSULATION SIZE .260 MAX DIA
- 4 SUPPLIED IN LOOSE PIECE.
- 5 DIMENSION DOES NOT INCLUDE TRIM BURR
- 6 .015 MAX CARRIER TRIM BURR PER SIDE IS ALLOWABLE IN THE SHADED AREA



HOUSING: NYLON, COLOR-BLUE TRANSLUCENT		3-521191-2	
TAB: #3 HARD BRASS, TIN .000080 MIN			
MATERIAL & FINISH			PART NO
DO NOT SCALE PRINT. UNLESS SPECIFIED DIMENSIONS IN INCHES TOLERANCES ON: 2 PLC DEC ± - 3 PLC DEC ± .015 ANGLES ± -	DR 9FEB99 JR RUTH	 AMP INCORPORATED Harrisburg, Pa. 17105	
	CHK 9FEB99 MS FEHER		
MATERIAL SEE TABLE	APPD 9FEB99 J HUMMEL	NAME TAB ASSEMBLY, LID, ULTRA-FAST, LOOSE PIECE, .250 SERIES, 16-14 AWG	
	APPD 9FEB99 D BRATINA	SIZE B	
FINISH SEE TABLE	PRODUCT SPEC 108-2017	FSCM NO 00779	DRAWING NO 521191
	APPLICATION SPEC 114-2123	SCALE 4:1	SHEET 1 OF 1
WEIGHT -			